

機械規格 Machine Specification



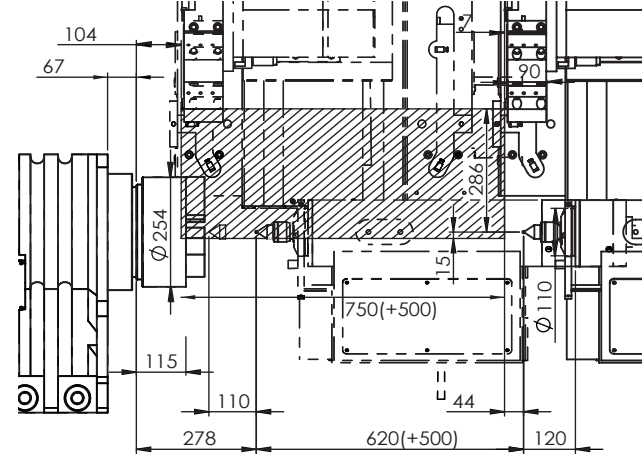
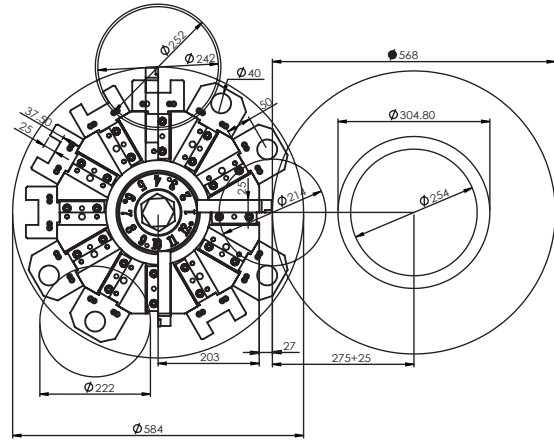
高精度重切削型車床 High preformance heavy cutting cnc lathe

JW-31

CNC高效率，高精密自動車床
CNC High Efficiency, High Precision Lathe



刀具干涉圖 Max. Interference of tools



標準配件 Standard accessories

- | | |
|-------------------------------|--|
| 1 8.4吋彩色顯示器 | 1 8.4" color |
| 2 10吋/12吋三爪會一組軟爪(JW-31) | 2 10" /12" power chuck including 1set soft jaws(JW-31) |
| 3 15吋/18吋三爪會一組軟爪(JW-41) | 3 15" /18" power chuck including 1set soft jaws(JW-41) |
| 4 中央潤滑系統 | 4 Central Lubrication System |
| 5 冷卻系統 | 5 Coolant System |
| 6 油壓單元系統 | 6 Hydraulic Unit System |
| 7 三色警示燈 | 7 Three Color Indicator Tower |
| 8 工具箱 | 8 Tool Box |
| 9 電器手冊 | 9 Electric Manual with Jenn Wei/One Set |
| 10 操作手冊 | 10 Operation Manual with Jenn Wei & Fanuc |
| 11 腳踏開關 | 11 Foot Switch |
| 12 鐵屑輸送機&車 | 12 Chip Conveyor & bullet |
| 13 伺服刀塔12刀位 | 13 Servo Motor Index Turret 12 Stations |
| 14 全鋁金屬罩 | 14 Full-Closed Cover Garud |
| 15 熱交換器 | 15 Cabinet Heat Exchanger |
| 16 計數完成自動斷電 | 16 Count Complete Auto. Power Off |
| 17 控制器兩保固 | 17 Two-year Warranty for Controller |
| 18 機器一年保固 | 18 1 Year Machine Warranty |
| 19 外徑刀座6組 內徑25*25 | 19 O.D Turning Tool Holder 25x25 12pcs |
| 20 內徑刀座3組 內徑40 | 20 I.D. Turning Tool Holder 3sets ida. 40 |
| 21 刀套 8,10,12,16,20,25,32 各兩個 | 21 Tool sleeve 8,10,12,16,20,25,32 per 2pcs |
| 22 可程式油壓尾座M2-5 | 22 Programable tailstock M2-5 |

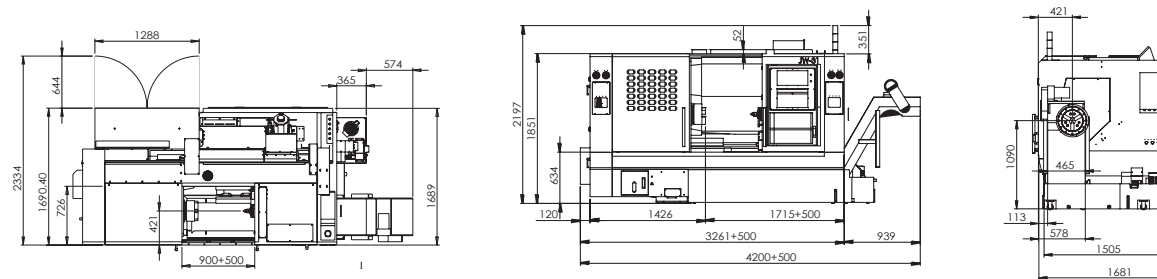
選擇配件 Option accessories

- | | |
|-------------------------|--|
| 1 送料機介面 | 1 Bar Feeder Interface |
| 2 高壓冷卻 | 2 High Pressure Collant Pump |
| 3 CE安全認證 | 3 CE Sandard |
| 4 油水回收機 | 4 Mist collector |
| 5 電氣箱冷氣機 | 5 Air condition for electric box |
| 6 RENISHAW自動刀量測器 | 6 Renishaw tool presetter(auto or manual) |
| 7 出口木箱包裝 | 7 Export wooden case |
| 8 Y軸裝置+50 | 8 Y axis device +50 |
| 9 副主軸裝置8英吋三爪 | 9 Sub.spindle device 8" power 3 jaws chuck |
| 10 徑向動力刀座ER32 | 10 Power radial milling tool holder ER32 |
| 11 軸向動力刀座ER32 | 11 Power axial milling tool holder ER32 |
| 12 變壓器40kva | 12 Transformer 40 kva |
| 13 旋轉尾座心軸M2-4 | 13 Rotary tailstock enter M2-4 |
| 14 主軸兩段變速箱 | 14 Spindle Gear box 2 Steps |
| 15 動力刀塔BMT65或VDI40 12刀位 | 15 Powered servo turren BMT65 or VDI40 12T |

項目 ITEM	機械規格 SPECIFICATION	JW-31	JW-41
加工範圍 CAPITAL	床面旋徑 SWING OVER BED	φ 770mm	
	鞍面旋徑 MAX. TURNING DIA.	φ 500mm	
	切削直徑 MAX. CUTTING DIA.	φ 480mm	
	最大切削長度 MAX. CUTTING LENGHT	750mm/1250mm	650mm/1150mm
	兩頂心距離 DISTANCE BETWEEN CENTER	850mm/1350mm	
行程 TRAVEL	X軸行程 X AXIS TRAVEL	275+20mm --鑄刀座中心 Boring holder center	
	Z軸行程 Z AXIS TRAVEL	750mm/1250mm	
	X,Z軸馬達功率 X,Z AXIS MOTOR OUTPUT	3/3kw	3/4kw
	快速進給(X,Z) RAPID(X,Z)	20/24 m/min	20/24 m/min
	軌道型式 SLIDEWAY TYPE	硬滑軌 BOX WAY	
	主軸 SPINDLE	主軸鼻端 SPINDLE NOSE	A2-8(10"op(12"))
主軸軸承直徑 BEARING DIA.		φ 130mm	φ 170mm
主軸最高轉速 MAX. RPM		3500rpm	2500rpm
主軸馬達功率 MOTOR OUTPUT		15/18.5kw	22/26kw
主軸通孔 SPINDLE HOLE		90mm	116mm
棒材通孔 BAR THOUGH HOLE		75mm	91mm
刀塔 TURRET	刀具數/刀具座規格 STATION	12(op10)	10
	四方/圓形刀柄尺寸 O.D./I.D. SIZE	25/40	32/50
尾座 TAILSTOCK	驅動型式 DRIVE SYSTEM	可程式油壓(整座移動) Programable hydraulic	
	頂心鉸度 TAPPER TYPE	MT#4(Live center)/MT#5(Fix center)	
	行程 TRAVEL	700mm/1200mm	
CNC控制器 CONTROLLER		FANUC Oi-T /Mitsubishi M series	
驅動馬達 MOTORS	鐵屑輸送機馬達 CHIP CONVEYOR	1/4 Hp	
	切削水泵馬達 COOLANT	750 W	
	油壓馬達 HYDRAULIC	3 Hp	
一般規格 MECHINE	外形尺寸(約) (長 x 寬 x 高) DIMENCE(LxWxH)	3.8x1.75x2 meter	3.8x1.75x2 meter
		4.4x1.75x2 meter	4.4x1.75x2 meter
	機械淨重(約) NET WEIGHT/GROSS WEIGHT	5400kgs	7500kgs
		6000kgs	8100kgs

以上規格如有變更恕不另行通知/Specifications are subject to change without notice.

外部尺寸圖 Dimensional drawing(mm)



震唯機械股份有限公司

JENN WEI MACHINERY CO., LTD.

41465 台灣台中市烏日區溪南路一段680巷239號

No. 407, Shih Nan Road, Sec. 1, Wu Jih District 41465

Taichung City, Taiwan

Tel: 886-4-23352368

Fax: 886-04-23353880

E.mail:L3352368@ms49.hinet.net

Web Site:www.jennwei.com.tw



高剛性機體結構 高速加工極穩定
Ultra-high Stability at High Speed Machining

● Z軸滑板 Z axis side



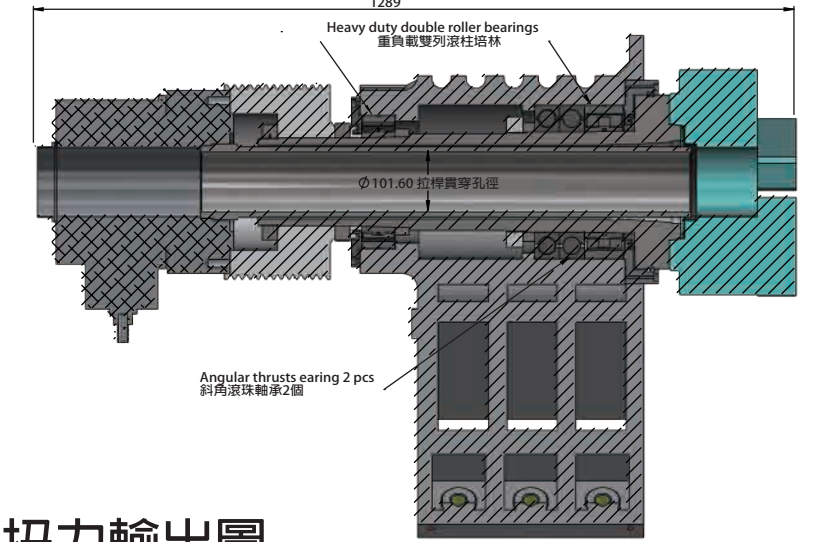
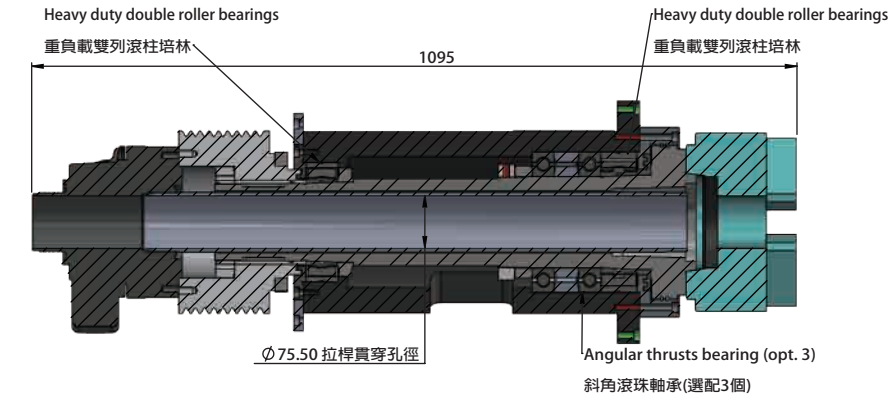
- 加大Z軸軌道及雙可調整斜削，加倍提升Z軸剛性及穩定度增加刀具壽命。
- Bigger Z Axis slideway with double side Taper Gib to keep Z axis accuracy and rigidity, also to keep cutting more stable and tooling longer life.

● 尾座 Tailsock



- 選擇配件迴轉心軸可程式尾座心軸M2-4，尾座頂出行程110mm，心軸直徑110mm，尾座本體採雙油壓缸固定。
- Tailstock Body use double clamping cylinder to fix in Slideway to keep its rigidity. Option accessory for Programable Tailstock with MT 4 Center, Quill Diamenter 110mm with travel 110mm.

● 主軸結構圖 Spindle instruction



● 控制器及操作面板 CNC operation panel

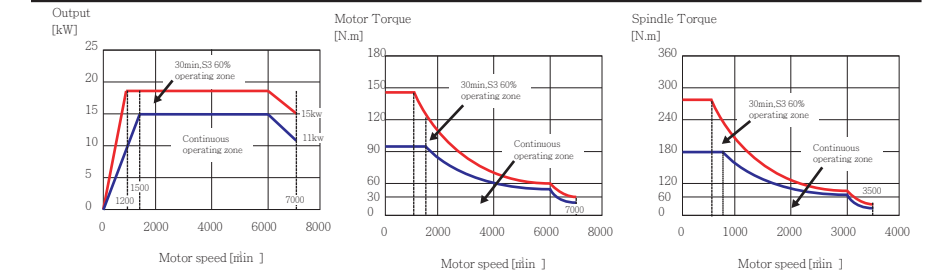


- 人性化操作面板可旋轉60度，下方大置物架可擺放車刀等雜物白鐵操作面板抗油汙壽命長並可安裝多品牌控制器。
- operation panel can be turned 60° , which is good for handel. under has Drawbox to put the tooling. Steanless Panel can resist Oil and dirty , so the life is much longer.

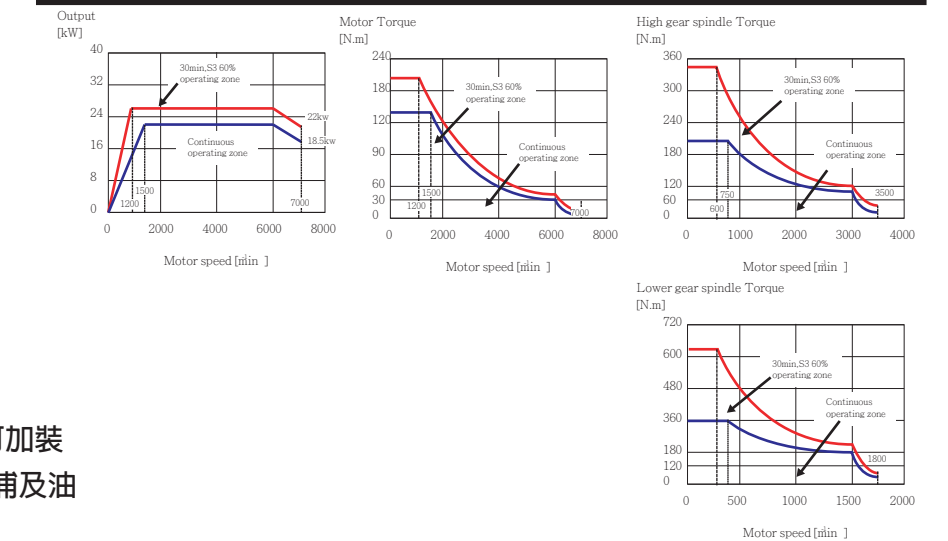
● 主軸扭力輸出圖

Spindle turque output

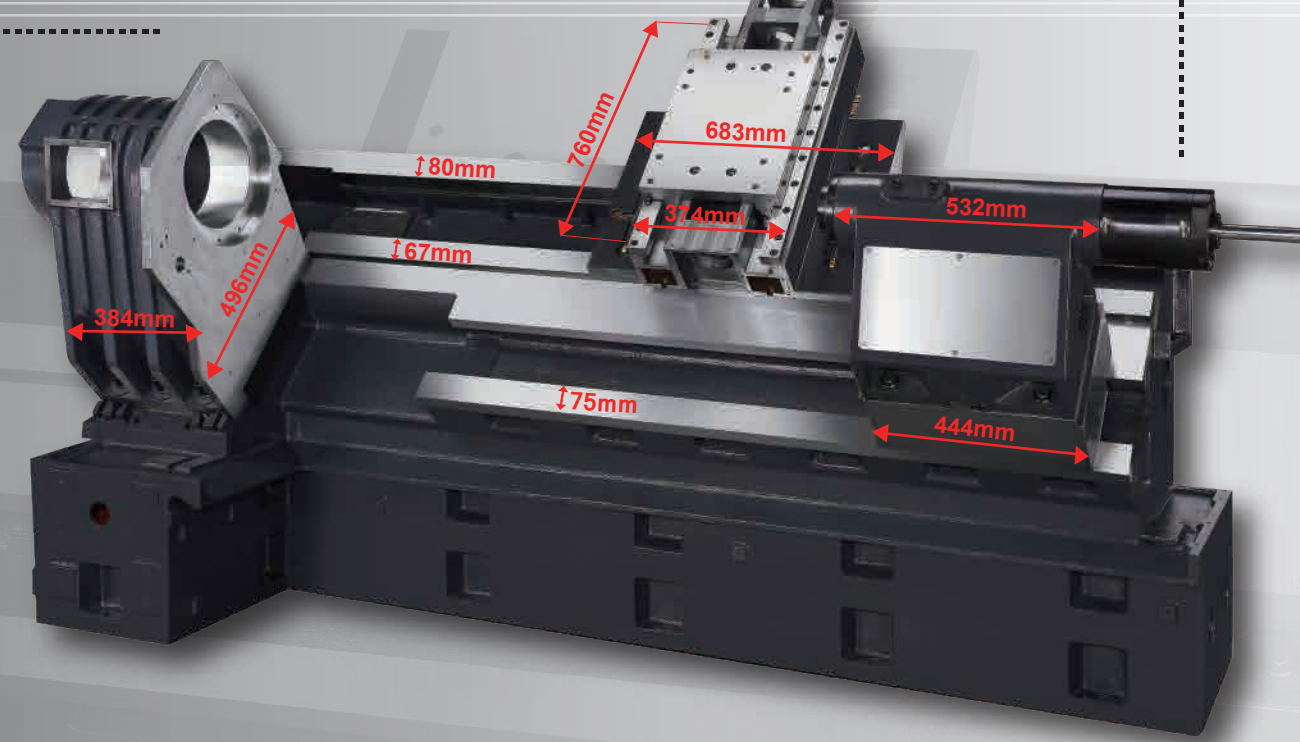
Model arfil 15/7000 For JW-31 spindle motor output 1:2 Rapid V belt



Model arfil 22/6000 For JW-41 spindle motor output 1:2 Rapid V belt and high & 1/2 lower gear box



● 主軸本體 Spindle



- 主軸本體皆經過立式磨床研磨孔內,提高主軸同心度及裝配公差。
- Spindle has been inner / outter grinded, so the accuracy is very high and roundout very precious.

● 多功能水箱 Multi-function coolant tank



- 切削水箱可由前方拉出方便清潔、維護。
- Coolant Tank can be draw out from Front, so it is easy for maintainance and keep its cleaning.

- ★ 45度斜背式車床高剛性硬軌結構標準行程750mm，可500mm追加Z軸行程。
- ★ 45° Slant Bed with ridig Construction with Travel 750mm, could add travel every 500mm for Z axis.

- 多功能水箱可加裝2個切削水泵浦及油水分離機。
- Multiful Functions Coolant Tank can be mounted 2 set Pump and Oil Skimmer.